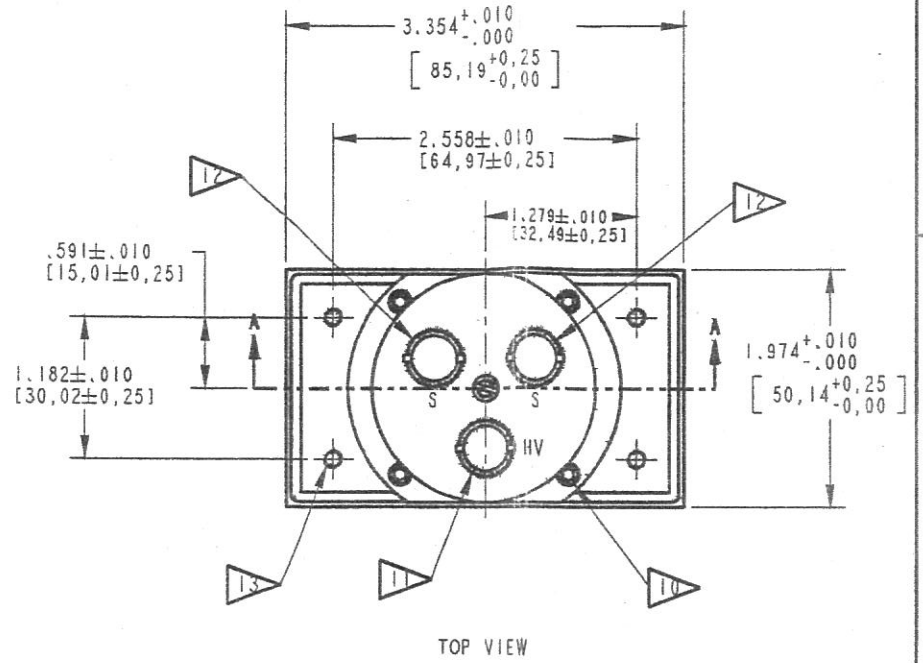
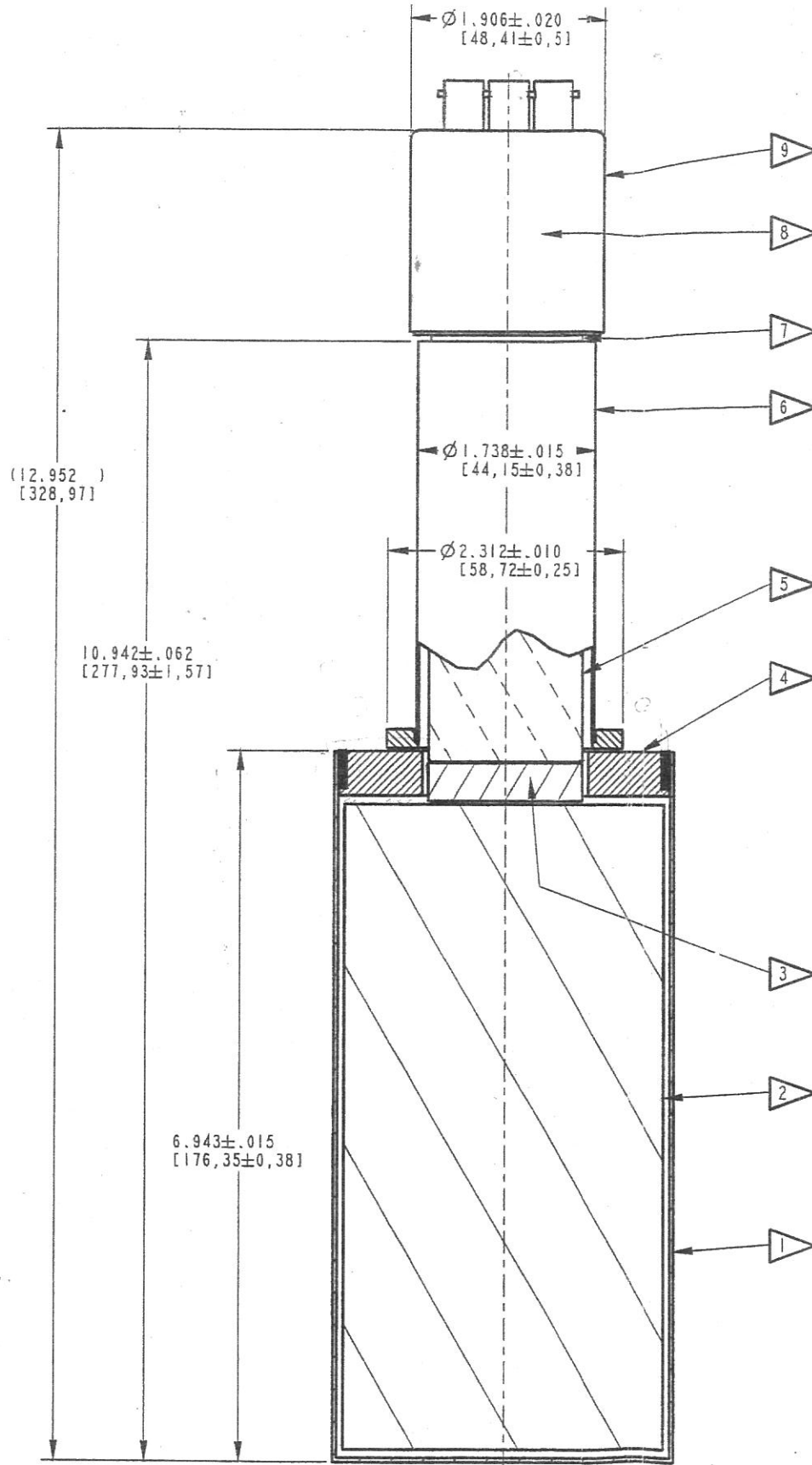


NOTES:

- 1 ALUMINUM CRYSTAL HOUSING (CLEAR ALODINE FINISH)
- 2 NaI(TL) CRYSTAL
1.770 [44,96] X 3.150 [80,01] X 6.300 [160,02] LG.
- 3 K+ GLASS OPTICAL WINDOW
.375 [9,575] THK.
- 4 ALUMINUM TOP PLATE (CLEAR ALODINE FINISH)
- 5 $\varnothing 1.500$ [38,1] PHOTOMULTIPLIER TUBE
HAMAMATSU R580
TO BE WIRED FOR -HV OPERATION
- 6 MU-METAL LIGHT SHIELD (SATIN CHROME FINISH)
- 7 12 PIN PHENOLIC BASE JEDEC B-12-43
- 8 P-12-X PLUG-ON VOLTAGE DIVIDER ASSEMBLY PER SCHEMATIC 600-2464 TO BE WIRED FOR -HV OPERATION
- 9 ALUMINUM COVER (CLEAR ALODINE FINISH)
- 10 #4-40 SOCKET HEAD CAP SCREWS TO MAKE LIGHT SHIELD AND PHOTOMULTIPLIER TUBE REMOVABLE
(4) SCREWS EQUALLY SPACED AS SHOWN ON A $\varnothing 2.032$ [51,613] $\pm .005$ BOLT CIRCLE
- 11 HIGH VOLTAGE CONNECTOR SHV CONNECTOR KINGS #1704-1
- 12 SIGNAL CONNECTOR (2X) BNC CONNECTOR KINGS #UG-657/U
- 13 M4 X 0.7 X 6mm DEEP HOLE (4X)
- 14. PERFORMANCE SPECIFICATION:
PHR: 9% OR BETTER FOR Cs-137
UNIFORMITY: $\pm 1.5\%$

REVISIONS				
ZONE	REV.	DESCRIPTION	DATE	APPROVED
-	B	12.952 WAS 13.174 ADDED M4 X 0.7 X 6MM DEEP HOLES AND ASSOCIATED DIMENSIONS UPDATED DRAWING FORMAT	6/12/01	IND. #102



SECTION A-A

THIS PRINT IS THE EXCLUSIVE PROPERTY OF SAINT-GOBAIN CRYSTALS & DETECTORS, A SUBSIDIARY OF SAINT-GOBAIN CERAMICS & PLASTICS, INC. AND IS NOT TO BE FURTHER REPRODUCED OR DISCLOSED TO ANOTHER PARTY WITHOUT PRIOR WRITTEN PERMISSION FROM SAINT-GOBAIN CRYSTALS & DETECTORS. COPYRIGHT RESERVED, SAINT-GOBAIN CERAMICS & PLASTICS, INC. 2000

CUSTOMER APPROVAL <input type="checkbox"/> APPROVED <input type="checkbox"/> APPROVED AS NOTED <input type="checkbox"/> REVISED & RESUBMIT CUST. INIT. _____ DATE _____	ENGINEERING SALES DRAWING DO NOT SCALE THIS DRAWING THIS DWG IS IN ACCORDANCE WITH ASME Y-14.5M DRAWN L. SCHULTZ 24-Aug-99	SAINT-GOBAIN CRYSTALS & DETECTORS <small>12546 Kirtman Rd., Newbury, OH 44068</small>
	TITLE MODEL: 1.77X3.15H6.3/1.5L-X	SIZE: C SCALE: 1:1

DWG. NO. S600-2338
SHEET REV. B

SAINT-GOBAIN
セーゴバイン